



Tensor TG

The Tensor TG is a series of high pressure hydraulic bolt tensioners, available in 18 sizes from M30 up to M180. Load capacity from 220 KN up to 12 MN.

The Tensor TG is hydraulically operated with a maximum pressure of 1000 Bar.

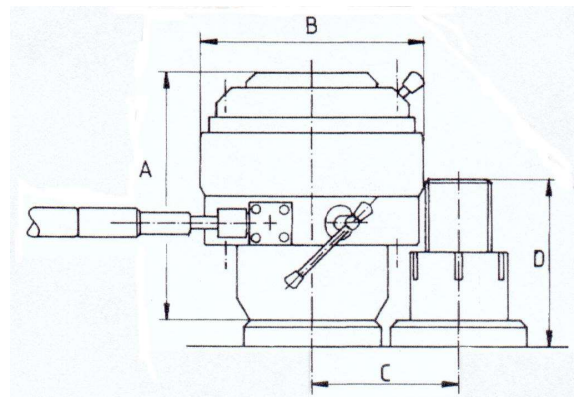
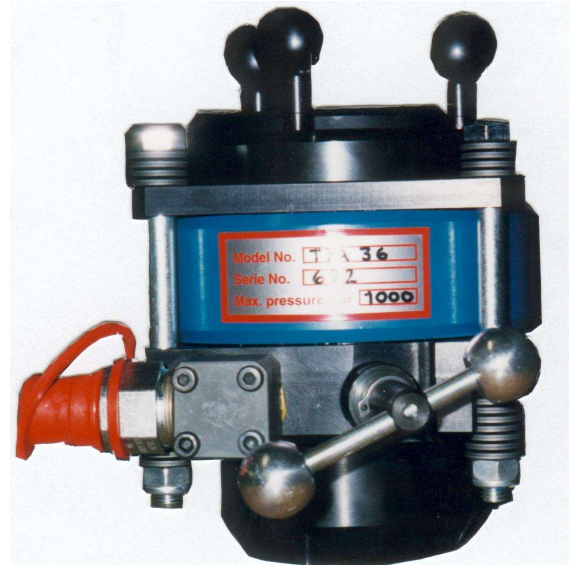
The Tensor TG is designed to give maximum tension to a 8.8 bolt.

The Tensor TG can be fitted to round nuts with slots or standard hex nuts

The Tensor TG series have a compact design.

The Tensor TG can allow the flange to rotate up to 2°

Tensor TG bolt tensioner is easy to operate on site, put it over the nut and stud, turn the puller sleeve down, pressurize and turn the nut up or down, relieve the pressure and the piston is pushed back by springs.



Dimensions:

Tensioner		Max pulling force	Weight	A	B	C	D	Nut	Nut	Washer	Washer
		MN	KG	height	outside diameter	min pitch	min stud height	outside diameter	height	outside diameter	thickness
				mm	mm	mm	mm	mm	mm	mm	mm
TG 30	0,35	4	116	94	63	70	42	30	60	10	
TG 36	0,55	7	132	116	78	84	50	36	72	12	
TG 42	0,73	11	150	134	90	100	60	42	84	15	
TG 48	0,91	14	165	148	100	115	68	48	96	17	
TG 56	1,24	21	193	174	117	132	80	56	110	20	
TG 64	1,72	36	228	202	135	148	90	62	125	22	
TG 72	2,27	52	265	232	155	168	102	70	140	25	
TG 80	2,89	75	282	258	170	185	114	76	160	28	
TG 90	3,52	100	328	290	195	206	128	84	180	32	
TG 100	4,50	140	355	325	215	227	140	92	200	35	
TG 110	5,28	185	380	355	235	250	156	100	220	39	
TG 120	6,55	242	400	390	260	270	170	108	240	42	
TG 130	7,76	*	*	426	*	*	*	*	*	*	
TG 140	8,89	*	*	456	*	*	*	*	*	*	
TG 150	10,50	*	*	495	*	*	*	*	*	*	
TG 160	11,60	*	*	520	*	*	*	*	*	*	
TG 180	11,90	*	*	540	*	*	*	*	*	*	

* Dimensions on request.