

TENSOR AB

Copyright TENSOR AB

AHA-9700

The AHA-9700 series are designed for making fine square cuts of high tensile steel bars.

The AHA-9700 can cut any metal bars with tensile strength up to 1000 N/mm².

The AHA-9700 tools are hydraulically operated with a maximum pressure of 700 Bar and double acting operation.

The AHA-9700 tools are CE marked.

The AHA-9700 tools are very easy to operate by a foot pedal.

Recommended powerpack units:

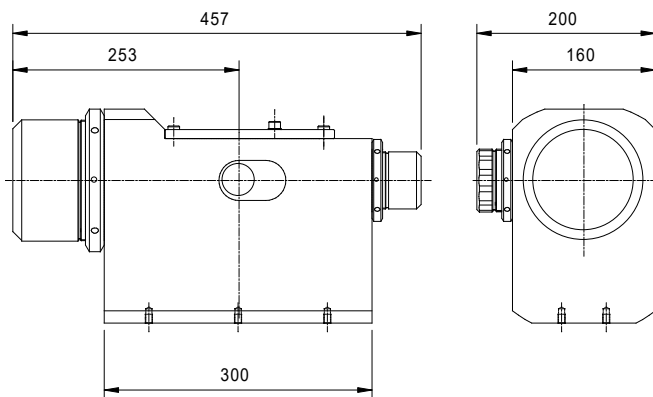
AHP-8031, electric pump.

AHP-8038, electric pump.

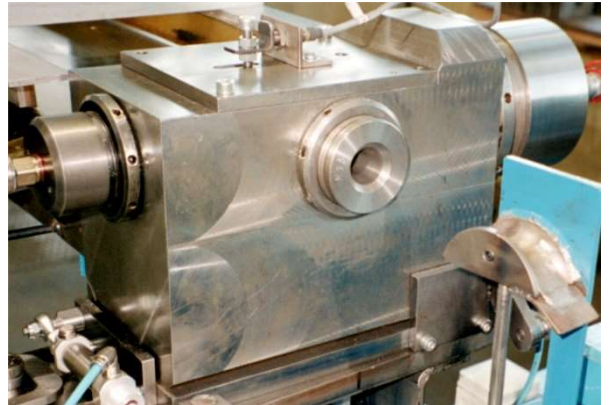
Accessories:

Hosekit AHA-K

DIMENSIONS:



Weight: 90 kgs



AHA-9700 in cutting machine

Exemple of cut:

Bar $\phi 33,28$ quality 8.8 steel for screws:



CUTTING CAPACITY:

The cutter can easily be modified for your data and needs.

The cutter in the exemple can cut up to $\phi 35$ mm and tensile strength 700 N/mm².

CUTTING TIME:

Cycletime down to < 1 second is achievable