



# TENSOR AB

Copyright TENSOR AB

## AHA-300 series

The 300 series are wire shears with an extremely low weight, made for cutting wire, spring wire, mesh, prestressed wire etc

The 300 tools are hydraulic operated with a maximum pressure of 210 Bar or 700 Bar.

The 300 tools is made for single acting hydraulic system

The 300 tools are CE marked

The 300 tools are very easy to handle and operated by electrical switch on the handle.

Recommended powerpack units:

- AHP-2030, electric oil pump
- AHP-2060, electric oil pump
- AHP-7002, electric oil pump
- AHP-8007, electric oil pump
- AHP-8011, electric oil pump

Accessories:

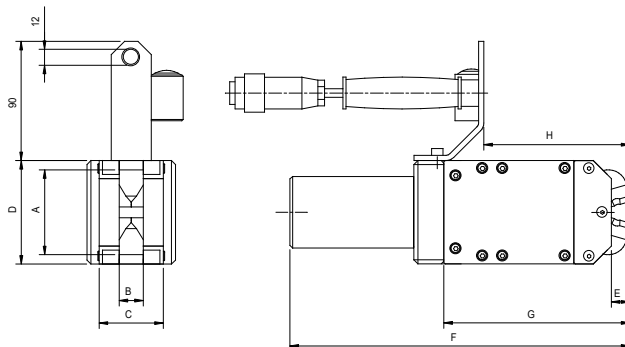
- Hosekit AH-SL
- Extended handle

Different type of blades to suit application

Foot operated

### DIMENSIONS (mm):

	A	B	C	D	E	F	G	H
<b>AHA-312</b>	64	18	48	78	14	255	139	110
<i>AHA-316</i>	<i>91</i>	<i>19</i>	<i>28</i>	<i>110</i>	<i>39</i>	<i>370</i>	<i>200</i>	<i>150</i>
<i>AHA-322</i>	<i>122</i>	<i>30</i>	<i>38</i>	<i>142</i>	<i>56</i>	<i>460</i>	<i>230</i>	<i>175</i>



### CUTTING DATA WIRE DIAMETER:

<u>Tensile Strength</u>	AHA-312	AHA-316	AHA-322
N/mm <sup>2</sup>			
700:	10	16	22
1500:	7	11	15

### CUTTING TIME:

<u>Pump unit</u>	AHA-312	AHA-316	AHA-322
AHP-2030	0,8	1,8	-
AHP-2060		0,9	1,8
AHP-7002	3,5	4,0	11,0
AHP-8007	1,0	1,1	
AHP-8011	0,5	0,7	2,1

WEIGHT: 3,1 5,2 15,0 Kg

### SPECIFICATION:

CUTTER Wire shear

AHA-3aa-b

a= Max dimension:

mm 12  
16  
22

b = hydraulic pressure:

max 210 Bar / 3000 psi = 2  
max 700 Bar / 10 000 psi = 7

TENAH300

Subject to alteration without previous notice.

TENSOR AB, Vagnmakaregatan 1b, S-415 72, GOTHENBURG, SWEDEN

TELEPHONE + 46 31 790 42 00

E-mail: info@tensor.se

Website: www.tensor.se