

## LP1

The LP1 is a pneumatic driven high pressure pump unit, option from 150 up to 4700 Bar. A stainless steel frame protects the pump unit. It is designed for mobile duty for bolt tensioning equipment in offshore applications, petro-chemical industri, nuclear plant etc.

The LP1 unit is delivered ready to go with quick connections to pneumatic air and hydraulic. The pressurised tank is normally filled with a water glycol mixture, option hydraulic oil, water or any other fluid media.

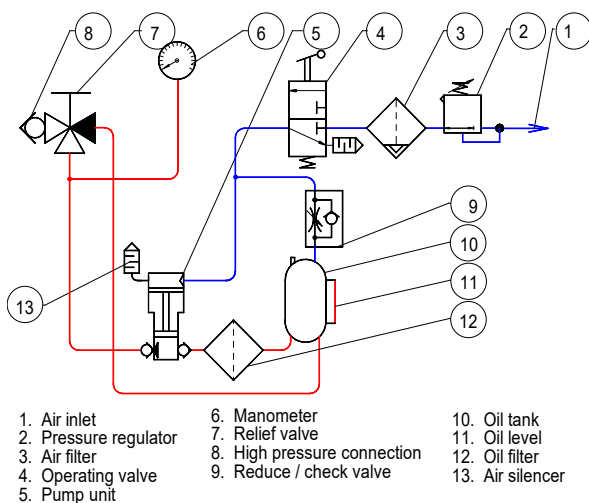
The LP1 unit contains a pressure regulator to adjust the maximum permitted output pressure, filter for air and hydraulic fluid, pressurised tank, a  $\phi 160$  mm manometer for hydraulic pressure and a relief valve for hydraulic fluid.

The LP1 unit is CE marked

The LP1 is very easy to operate; one lever for pressure and a cock wrench for relief.



### Schedule:



- |                       |                             |                  |
|-----------------------|-----------------------------|------------------|
| 1. Air inlet          | 6. Manometer                | 10. Oil tank     |
| 2. Pressure regulator | 7. Relief valve             | 11. Oil level    |
| 3. Air filter         | 8. High pressure connection | 12. Oil filter   |
| 4. Operating valve    | 9. Reduce / check valve     | 13. Air silencer |
| 5. Pump unit          |                             |                  |

### Technical data:

Standard pressure:	1000 Bar at 5,5 Bar
Discharge at 850 Bar:	0,6 l/min
Air consumption:	2 m <sup>3</sup> /min
Tank volume:	3 l

### Dimensions:

Length*width*height:	370*550*650 mm
Weight:	40 kg

### Options:

Custom design.  
 Pressure: from 150 up to 4700 Bar.  
 Fluid: oil, water or custom request.  
 Electronic pressure regulator.