



## Tensor TG

The Tensor TG is a series of high pressure hydraulic bolt tensioners, available in 18 sizes from M24 up to M180. Load capacity from 220 KN up to 12 MN.

The Tensor TG is hydraulically operated with a maximum pressure of 1000 Bar.

The Tensor TG is designed to give maximum tension to a 8.8 bolt.

The Tensor TG can be fitted to round nuts with slots or standard hex nuts

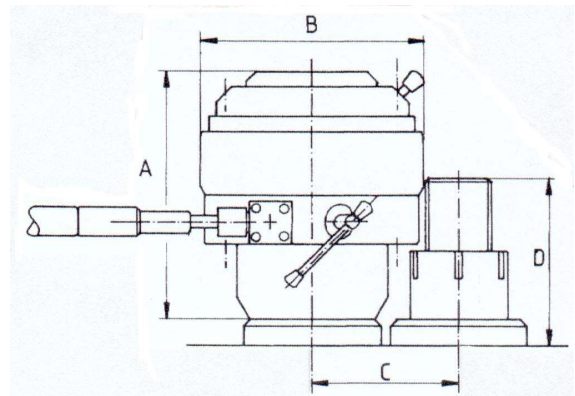
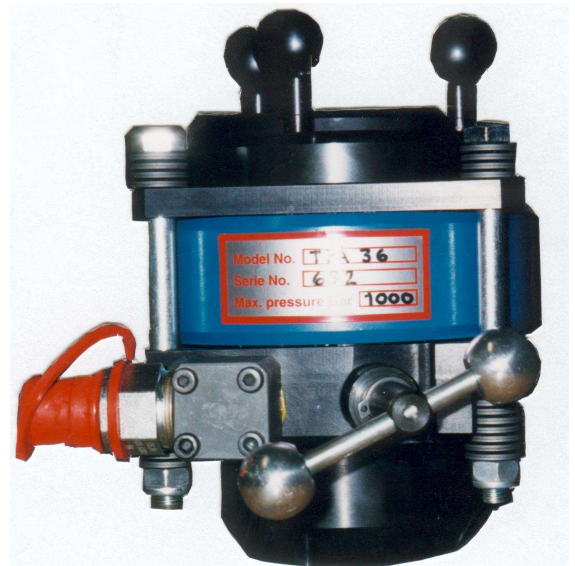
The Tensor TG series have a compact design.

The Tensor TG can allow the flange to rotate up to 2°

Tensor TG bolt tensioner is easy to operate on site, put it over the nut and stud, turn the puller sleeve down, pressurize and turn the nut up or down, relieve the pressure and the piston is pushed back by springs.

The TG unit is CE marked

### Dimensions:



Tensioner		Max pulling force	Weight	A height	B outside diameter	C min pitch	D min stud height	Nut outside diameter	Nut height	Washer outside diameter	Washer thickness
		MN	KG	mm	mm	mm	mm	mm	mm	mm	mm
TG 24	24	0,23	2,5	100	74	48	56	34	24	48	8
TG 30	30	0,35	4	116	94	63	70	42	30	60	10
TG 36	36	0,55	7	132	116	78	84	50	36	72	12
TG 42	42	0,73	11	150	134	90	100	60	42	84	15
TG 48	48	0,91	14	165	148	100	115	68	48	96	17
TG 56	56	1,24	21	193	174	117	132	80	56	110	20
TG 64	64	1,72	36	228	202	135	148	90	62	125	22
TG 72	72	2,27	52	265	232	155	168	102	70	140	25
TG 80	80	2,89	75	282	258	170	185	114	76	160	28
TG 90	90	3,52	100	328	290	195	206	128	84	180	32
TG 100	100	4,50	140	355	325	215	227	140	92	200	35
TG 110	110	5,28	185	380	355	235	250	156	100	220	39
TG 120	120	6,55	242	400	390	260	270	170	108	240	42
TG 130	130	7,76	*	*	426	*	*	*	*	*	*
TG 140	140	8,89	*	*	456	*	*	*	*	*	*
TG 150	150	10,50	*	*	495	*	*	*	*	*	*
TG 160	160	11,60	*	*	520	*	*	*	*	*	*
TG 180	180	11,90	*	*	540	*	*	*	*	*	*

\* Dimensions on request.