



The AHA-3-CC

The AHA-3-CC series are Low Weight Cutters designed for cutting electrical cables with aluminium or copper core, and with armor of aluminium, copper or steel up to a tensile strength of 800 N/mm^2 (116 000 psi).

The AHA-3-CC tools are hydraulically operated with a maximum pressure of 700 Bar and double acting operation. They can also be supplied with pneumatic air return.

The AHA-3-CC tools are CE marked.

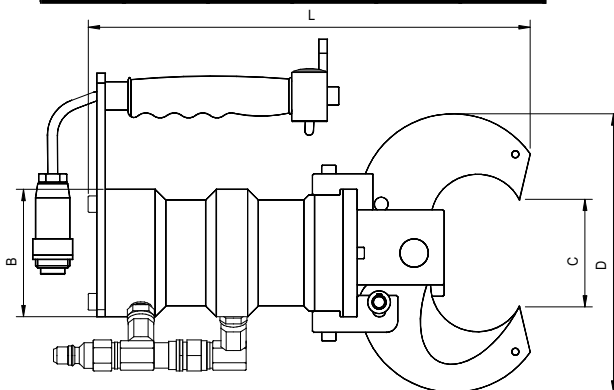
The AHA-3-CC tools are very easy to operate by a switch on the handle or by a foot pedal.

Recommended powerpack units:
AHP-7002, electric pump.
AHP-8007- 8038, electric pump.
AHP-7003- P, pneumatic pump.

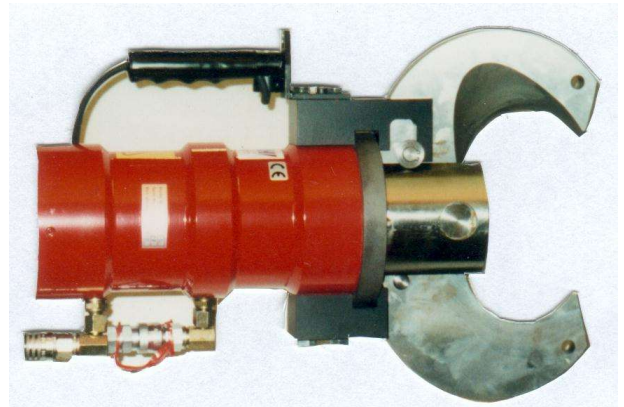
Accessories:
Hosekit AHA-K

DIMENSIONS:

	30	50	65	85	110
L	165	250	310	400	516
B	52	74	90	120	136
C	34	56	73	95	125
D	90	150	196	255	330



TENAHA-3-CC



CUTTING TIME: Total cycle time

Pump unit	30	50	65	85	110
AHP-7002	4	19	42	-	-
AHP-8007	2	8	17	37	-
AHP-8011	1	4	8	17	32
AHP-8021	-	2	5	10	19
AHP-8031	-	-	3	7	20
AHP-8038	-	-	2	6	17

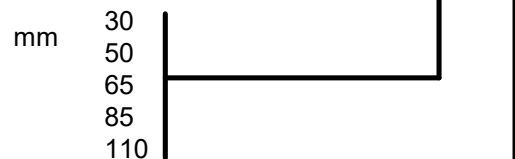
WEIGHT:

Weight (kg)	1,7	4,8	8	20	32

SPECIFICATION:

CUTTER Scissors type AHA-3-aaa-CC-b

a= Max dimension:



b = Return type:

Hydraulic = 1
Pneumatic = 2

EXAMPLE:

AHA-3-65-CC could cut a cable with copper core of $240 \times 3 \text{ mm}$ wire with a total area of 1700 mm^2 (2,64sqi)

AHA-3-65-CC could cut a cable with aluminium core of $420 \times 3 \text{ mm}$ wire with a total area of 3000 mm^2 (4,65sqi)

Subject to alteration without previous notice.