

AHA-200 Pneumatic

The 200 series are wire shears with an extremely low weight, made for cutting wire, spring wire, mesh etc.

The 203 - 206 tools are pneumatic operated with a recommended pressure between 5 to 6 Bar (75-90 psi).

The 200 tools are CE marked

The 200 tools are very easy to handle and operated by a lever on the body, the lever can be rotated round the body.

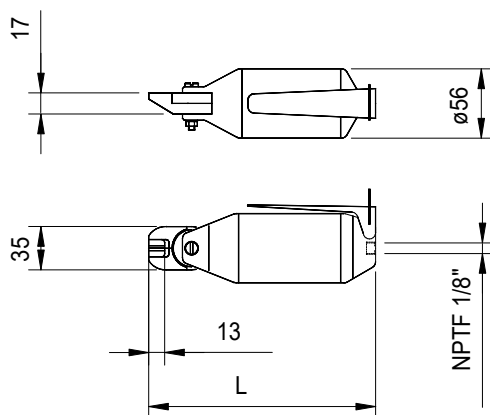
The standard blade is made of high class forged steel and is available with carbide tip.

DIMENSIONS (mm):

	L	Weight	Cutting capacity		
	mm		kg	Cu	Soft steel*
AHA-203	185	0,63	3,3	2,8	1,4
AHA-204	277	0,94	4,5	3,8	1,8
AHA-205	370	1,5	6	5	-
AHA-206	370	2	7	6	-

* Soft steel ~600 N/mm² Hard steel ~1800N/mm²

Dimension: AHA-203, 204.



SPECIFICATION:

CUTTER Wire shear

AHA-2aa

a= Max dimension:

mm 03
04
05
06

Blade

AHZ-2aa-b

a= Size: 03, 04 = 03
05, 06 = 05

b= Blade type:

Standard = 1
Carbide tip= 2

Dimension: AHA-205, 206.

