

AHA-300 series

The 300 series are wire shears with an extremely low weight, made for cutting wire, spring wire, mesh, prestressed wire etc

The 300 tools are hydraulic operated with a maximum pressure of 210 Bar or 700 Bar.

The 300 tools is made for single acting hydraulic system

The 300 tools are CE marked

The 300 tools are very easy to handle and operated by electrical switch on the handle.

Recommended powerpack units:

AHP-2030, electric oil pump

AHP-2060, electric oil pump

AHP-7002, electric oil pump

AHP-8007, electric oil pump

AHP-8011, electric oil pump

Accessories:

Hosekit AH-SL

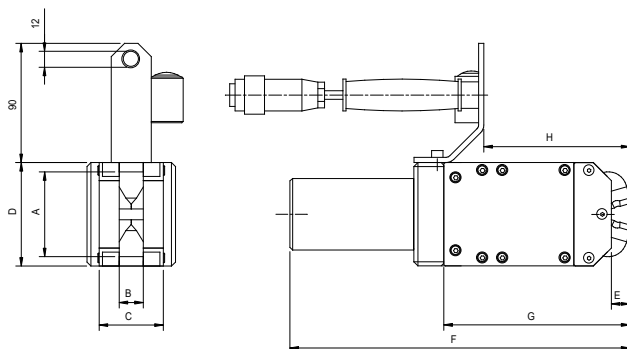
Extended handle

Different type of blades to suit application

Foot operated

DIMENSIONS (mm):

	A	B	C	D	E	F	G	H
AHA-312	64	18	48	78	14	255	139	110
<i>AHA-316</i>	<i>91</i>	<i>19</i>	<i>28</i>	<i>110</i>	<i>39</i>	<i>370</i>	<i>200</i>	<i>150</i>
<i>AHA-322</i>	<i>122</i>	<i>30</i>	<i>38</i>	<i>142</i>	<i>56</i>	<i>460</i>	<i>230</i>	<i>175</i>



TENAH300



CUTTING DATA WIRE DIAMETER:

Tensile Strength	AHA-312	AHA-316	AHA-322
N/mm ²			
700:	10	16	22
1500:	7	11	15

CUTTING TIME:

Pump unit	AHA-312	AHA-316	AHA-322
AHP-2030	0,8	1,8	-
AHP-2060		0,9	1,8
AHP-7002	3,5	4,0	11,0
AHP-8007	1,0	1,1	
AHP-8011	0,5	0,7	2,1

WEIGHT: 3,1 5,2 15,0 Kg

SPECIFICATION:

CUTTER Wire shear

AHA-3aa-b

a= Max dimension:

mm 12
16
22

b = hydraulic pressure:

max 210 Bar / 3000 psi = 2

max 700 Bar / 10 000 psi = 7

Subject to alteration without previous notice.